

U High-Capacity Series #HighCapacity / #HighTorque / #MiningPump



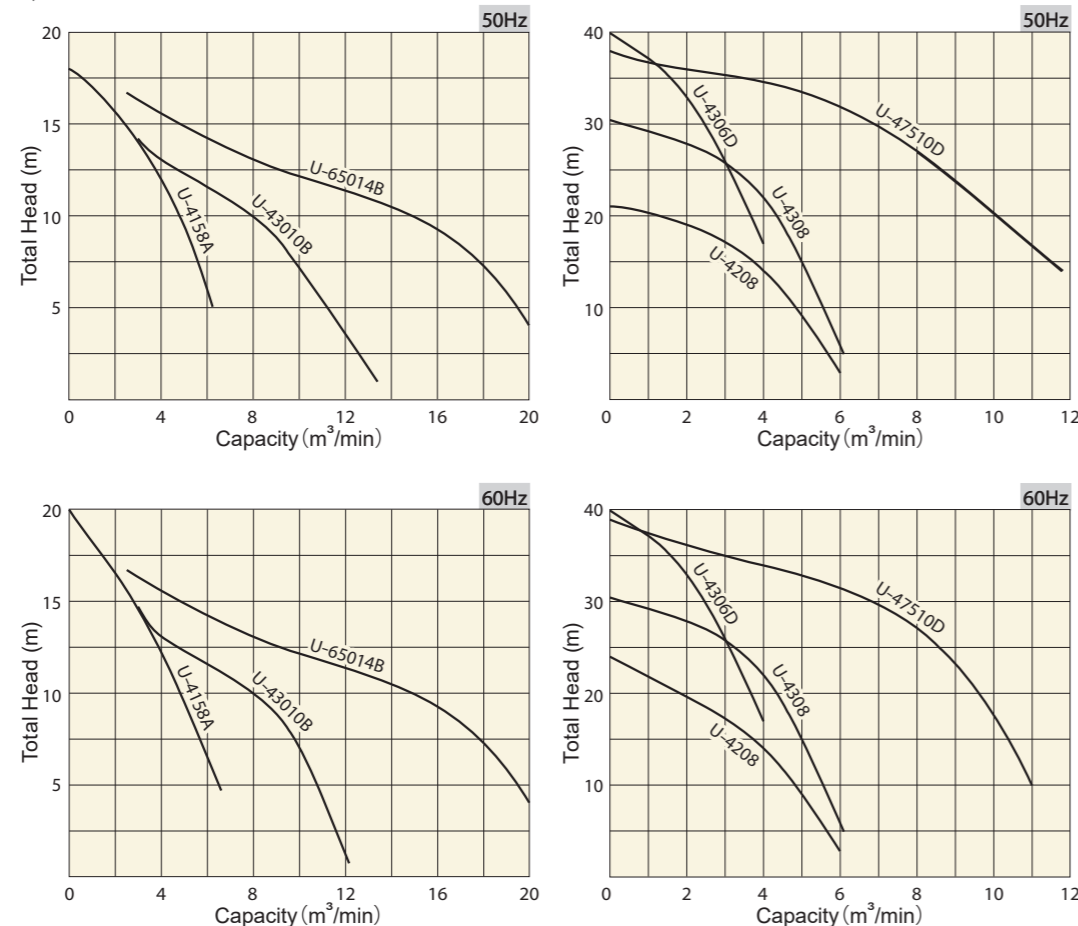
U-43010B

- 4 pole high torque motors are adopted in the pumps. (6 pole motor for U-65014B)
- The pumps perform the best for high capacity pumping applications.
- The pumps are designed for high efficiency.
- The back pressure releasing mechanism is adopted to enable a long service life of the mechanical seal. (EXCEPT U-4208, U-4306D, U-43010B and U-65014B)

◆ Applications

- Drainage out of sumps / pits / quarries / mining / underground construction sites etc...
- Water intake and supply in agriculture and industry
- Storm water drainage and flood control
- High capacity pumping applications

◆ Performance Curve



◆ Main Specifications

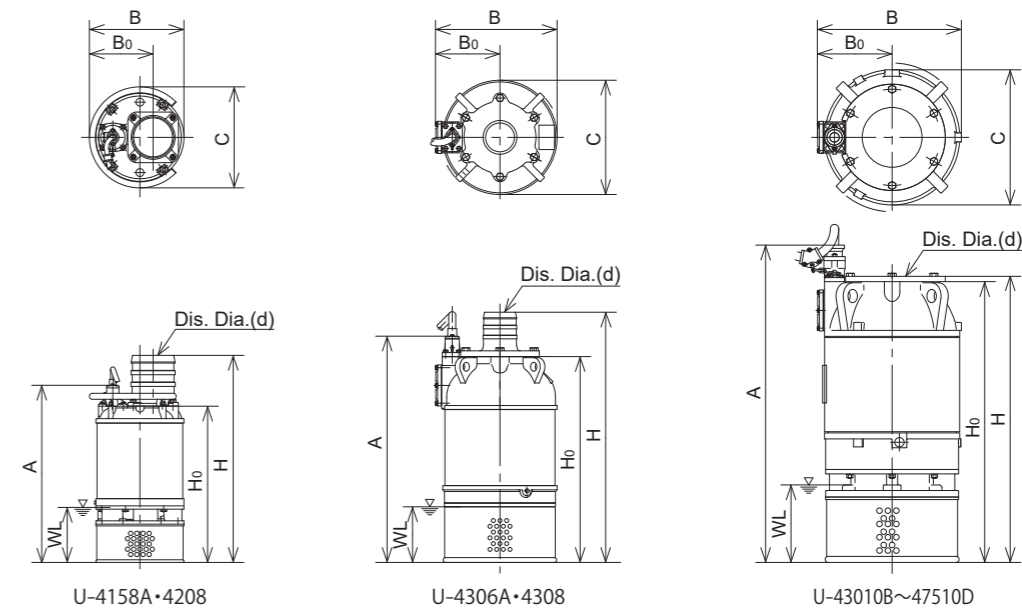
Discharge Diameter (mm)	200	200	150	200	250	350	250
Pump Models	U-4158A	U-4208	U-4306D	U-4308	U-43010B	U-65014B	U-47510D
Motor Output (kW)	11	15	22	22	22	37	55
Medium	Type	Spring Water / Muddy Water					
	Temperature	Max 40 Degrees Celsius					
Pump	Shaft Seal	Double Type Mechanical Seal					
	Shaft Bearing	Sealed Ball Bearing				Duplex Ball Bearing	
	Impeller	High Chrome					
	Casing	*FCD			*FC		
Motor	Type/Pole	Dry Type Induction Motor/4pole				Dry Type Induction Motor /4pole	Dry Type Induction Motor /6pole
	Insulation Class	B	E	F			
	Protector	Auto-Cut				Miniature Thermal Protector + Infiltrative Water Detector	
	Frame	*FC					
	Shaft	Stainless Steel					
Discharge Type	Hose Coupling				Companion Flange		

*FCD : Ductile Cast Iron / FC : Cast Iron

◆ Specifications

Discharge Diameter (mm)	Pump Models	Motor Output (kW)	Total Head (m)	Capacity (m³/min)	Starting	Max Solid Through (mm)	Weight (kg) *Without Cable	Cable Length (m)
200	U-4158A	11	10	4	DOL	20	177	10
200	U-4208	15	14	4	DOL	20	227/212	10
150	U-4306D	22	33	2	DOL	18	430	10
200	U-4308	22	22 / 15	4 / 5	DOL	18	440	10
250	U-43010B	22	10	8	DOL	25	440	10
350	U-65014B	37	10	14	Star Delta	65	700	10
250	U-47510D	55	27	8	Star Delta	25	730	20

The figure in the left of "/" is for 50Hz, in the right is for 60Hz.



◆ External Diagrams (mm)

Pump Models	d	H	H ₀	A	B	B ₀	C	WL
U-4158A	200	941	710	805	430	290	459	250
U-4208 (50/60Hz)	200	974/976	743/746	838/840	450/430	290	459	250
U-4306D	150	1,128	928	1,020	548	291	515	250
U-4308	200	1,158	928	1,020	548	291	515	250
U-43010B	250	1,021	997	1,089	548	291	515	350
U-65014B	350	1,334	1,310	1,475	650	338	610	400
U-47510D	250	1,292	1,268	1,433	650	338	610	350

WL: Pump Starting Level

The figure in the left of "/" is for 50Hz, in the right is for 60Hz.