

U High-Head & High-Capacity Series

#HighHead / #HighCapacity / #HeavyDuty / #MiningPumps



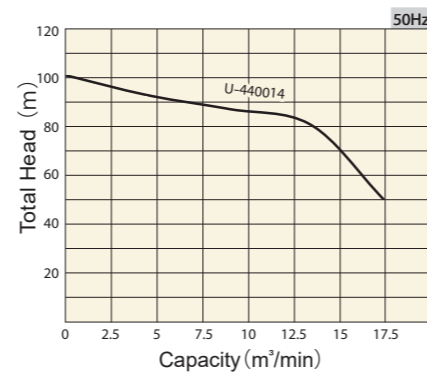
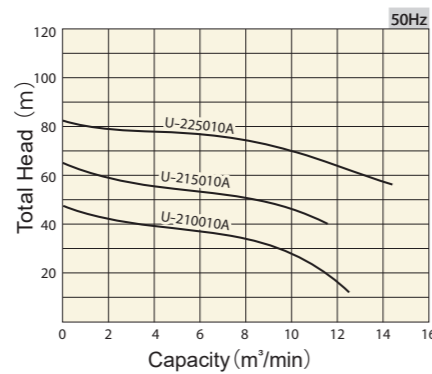
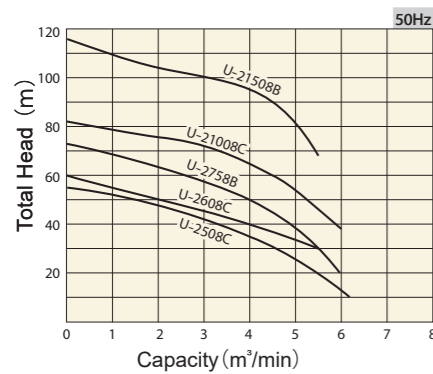
U-440014

- Both high head and high capacity pumping are satisfied by the pump.
- Wear-resistant materials such as high chrome alloy are used so that the performance of the pump is stable for a long time.
- The back pressure releasing mechanism is adopted to enable a long service life of the mechanical seal.
(EXCEPT U-210010A, U-215010A and U-225010A)

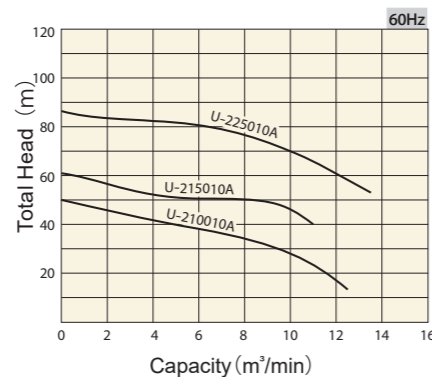
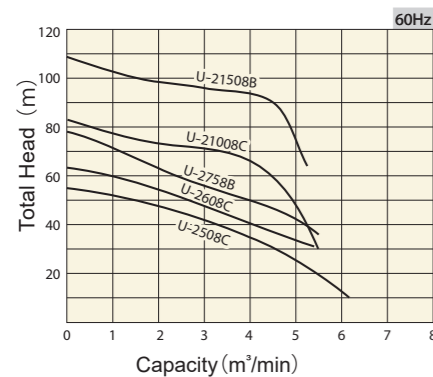
Applications

- Drainage out of sumps / pits / quarries / mining / underground / tunneling construction sites etc...
- Dam drainage
- Emergency water removal
- High head and high capacity pumping applications

Performance Curve



*For the curve of U-440014(60Hz), please contact Sakuragawa Pump or Sakuragawa dealers.



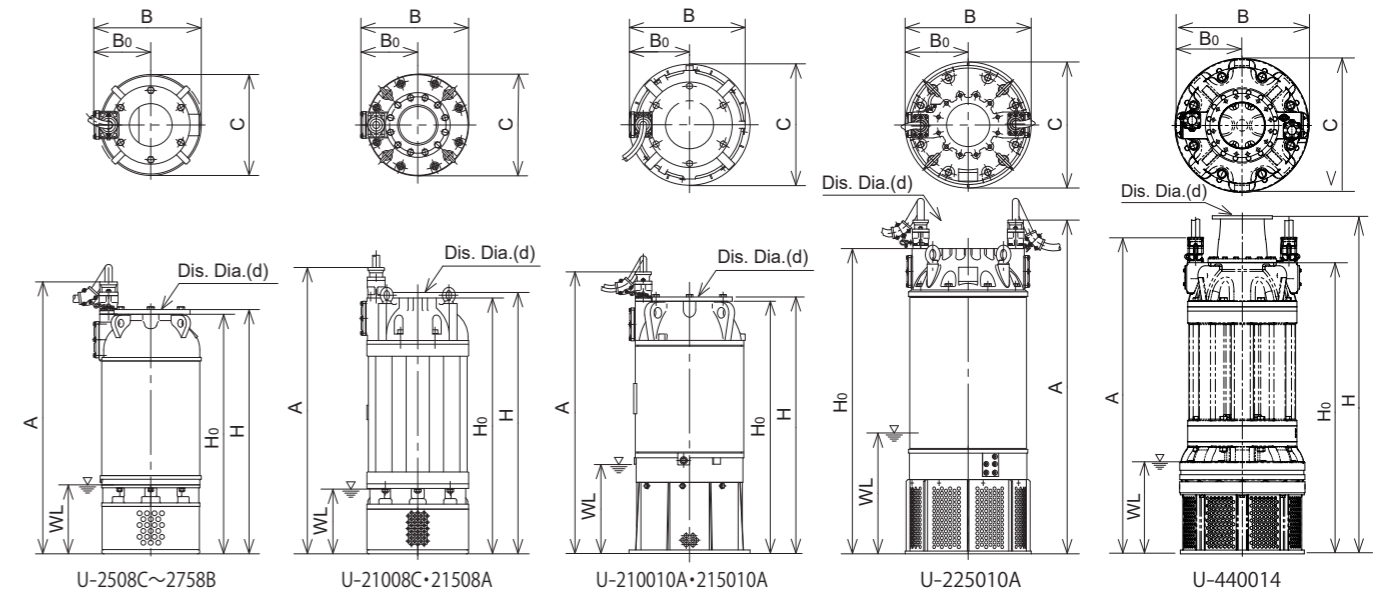
Main Specifications

Discharge Diameter (mm)	200	200	200	200	200	250	250	250	350
Pump Models	U-2508C	U-2608C	U-2758B	U-21008C	U-21508B	U-210010A	U-215010A	U-225010A	U-440014
Motor Output (kW)	37	45	55	75	110	75	110	185	300
Medium	Rain Water / Spring Water / Muddy Water								
Temperature	Max 40 Degrees Celsius								
Shaft Seal	Double Type Mechanical Seal								
Shaft Bearing	Sealed Ball Bearing								Duplex Ball Bearing
Impeller	High Chrome				Stainless Steel				
Casing	*FCD				*FC				
Type/Pole	Dry Type Induction Motor / 2pole								Dry Type Induction Motor / 4pole
Insulation Class	F								
Protector	Miniature Thermal Protector + Infiltrative Water Detector								
Frame	*FC				*SS400				
Shaft	Stainless Steel								
Discharge Type	Companion Flange								

*FCD : Ductile Cast Iron / FC : Cast Iron / SS400 : Mild Steel

Specifications

Discharge Diameter (mm)	Pump Models	Motor Output (kW)	Total Head (m)	Capacity (m³/min)	Starting	Max Solid Through (mm)	Weight (kg) *Without Cable	Cable Length (m)
200	U-2508C	37	35	4	Star-Delta	25	510	20
200	U-2608C	45	40	4	Star-Delta	25	510	20
200	U-2758B	55	50	4	Star-Delta	25	560	20
200	U-21008C	75	60	4.5	Star-Delta	16	980	20
200	U-21508B	110	90	4.5	Star-Delta	16	1,080	20
250	U-210010A	75	33	8.4	Star-Delta	25	980	20
250	U-215010A	110	50	8.4	Star-Delta	25	1,000	20
250	U-225010A	185	70	10	Star-Delta	19	1,900	20
350	U-440014	300	70	15	Star-Delta	25	4,500	20



External Diagrams (mm)

Pump Models	d	H	H0	A	B	B0	C	WL
U-2508C	200	1,246	1,222	1,387	548	291	515	350
U-2608C	200	1,246	1,222	1,316	548	291	515	350
U-2758B	200	1,246	1,222	1,387	548	291	515	350
U-21008C	200	1,414	1,384	1,549	583	308	550	350
U-21508B	200	1,414	1,384	1,549	583	308	550	350
U-210010A	250	1,442	1,418	1,583	678	338	680	500
U-215010A	250	1,442	1,418	1,583	678	338	680	500
U-225010A	250	—	1,768	1,933	730	365	730	700
U-440014	350	2,758	2,375	2,584	1,022	511	1,022	750

WL: Pump Starting Level