

Economical Submersible Dewatering Pump

# U-K Series

Save Labor & Energy  
Easy to Disassemble  
& Repair.

1. Discharge Dia. : 50–200mm
2. Motor Output : 0.75–22m
3. Total Head : 10–20m
4. Capacity : 0.2–4.0m<sup>3</sup>/min.

*Robust & Durable*



U-212KA



U-244KA



Sakuragawa will provide you with comfortable environment.

# SAKURAGAWA

# Super Heavy Duty! Powerful, Extra-compact, High Perform

## Economical Submersible Dewatering Pump

# U-K Series

### MOTOR PROTECTOR

Auto-cut, recycling thermal protector is built-in to secure the protection of the motor against temperature rise due to clogging of the impeller, overload, dry-running, voltage drop, etc.

U-4308KB is not equipped with Auto-Cut.



U-212KA



U-222KC

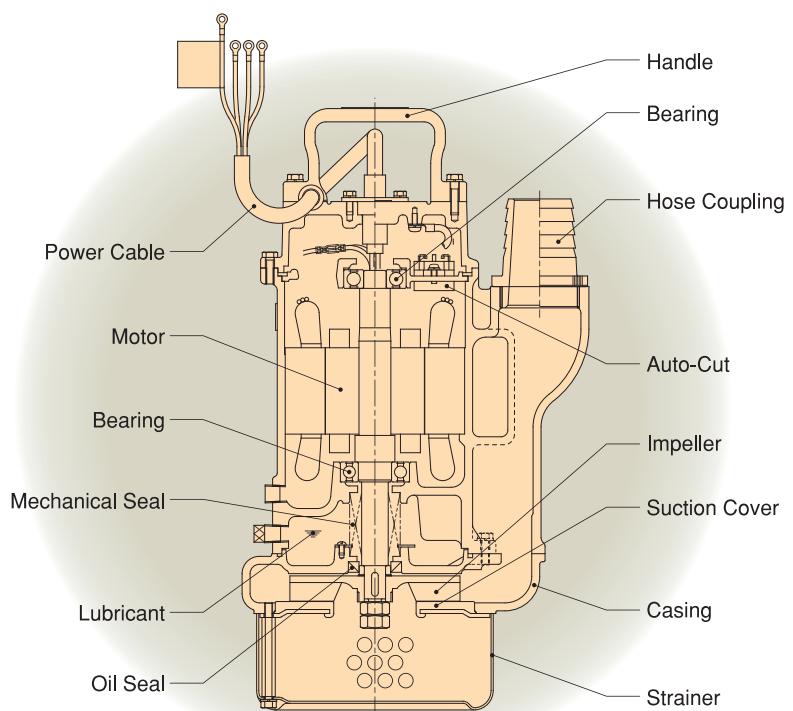
### SHAFT SEAL

The twin Mechanical Seals cooled and lubricated in the oil bath system ensure reliable effect and steady service at heavy-duty work sites for a long period of time.

### IMPELLER & CASING

The impeller is precisely balanced and abrasion-resistant with a large channel to ensure free of clogging. Together with the hydro-mechanically well designed volute casing, the impeller will function to the great extent of pumping efficiency. The suction cover is rubber-lined, excellent wearing resistant to abrasive particles in water. (Excluding the Models, U-486KB, U-4126K, U-4158K)

### Construction diagram



U-222KC

### Applications

Civil Engineering & Construction Service,  
Tunnel & Caisson Dewatering,  
Agricultural Irrigation, Reclaiming Operations,  
Tight Trenches, Manholes,  
Contractors & Rental Companies, etc.



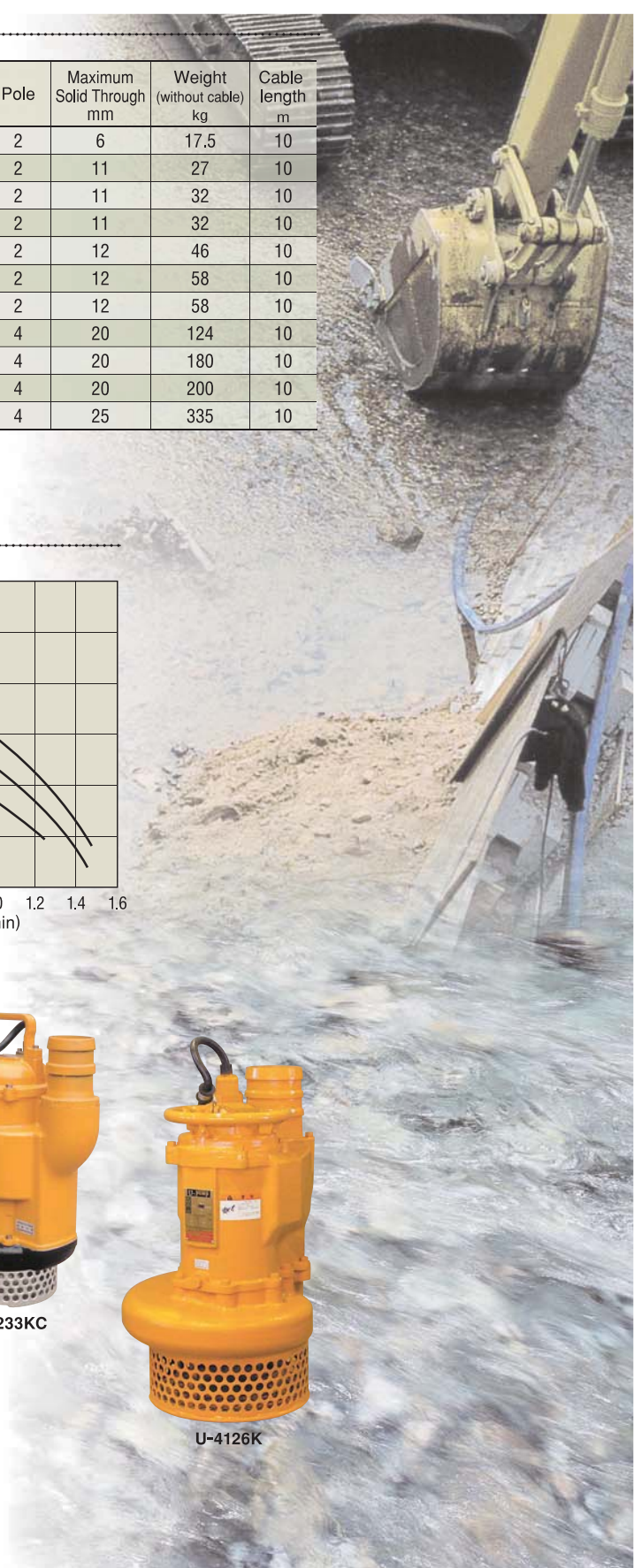
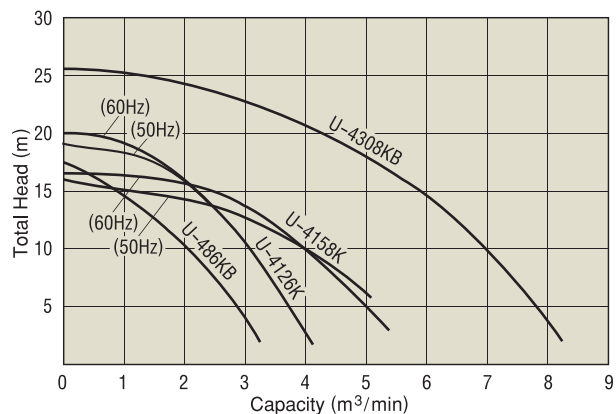
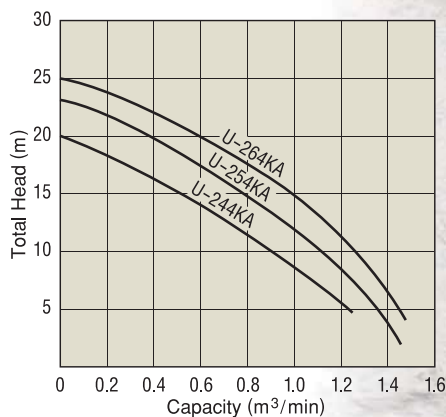
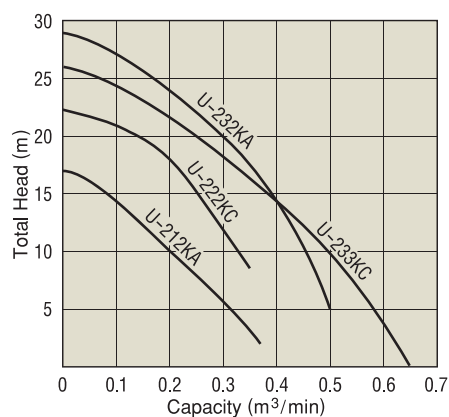
# Efficient and Built for Hard Work! Simple and Easy to Operate.

## Standard specifications

| Discharge Dia. mm | Models          | Motor output |    | Phase | Head m | Capacity m <sup>3</sup> /min | Starting Method | Pole | Maximum Solid Through mm | Weight (without cable) kg | Cable length m |
|-------------------|-----------------|--------------|----|-------|--------|------------------------------|-----------------|------|--------------------------|---------------------------|----------------|
|                   |                 | kW           | HP |       |        |                              |                 |      |                          |                           |                |
| 50                | <b>U-212KA</b>  | 0.75         | 1  | 3     | 10     | 0.2                          | Direct          | 2    | 6                        | 17.5                      | 10             |
| 50                | <b>U-222KC</b>  | 1.5          | 2  | 3     | 18     | 0.2                          | Direct          | 2    | 11                       | 27                        | 10             |
| 50                | <b>U-232KA</b>  | 2.2          | 3  | 3     | 20     | 0.3                          | Direct          | 2    | 11                       | 32                        | 10             |
| 80                | <b>U-233KC</b>  | 2.2          | 3  | 3     | 14     | 0.4                          | Direct          | 2    | 11                       | 32                        | 10             |
| 100               | <b>U-244KA</b>  | 3            | 3  | 3     | 10     | 0.9                          | Direct          | 2    | 12                       | 46                        | 10             |
| 100               | <b>U-254KA</b>  | 3.7          | 5  | 3     | 12     | 1                            | Direct          | 2    | 12                       | 58                        | 10             |
| 100               | <b>U-264KA</b>  | 4.5          | 6  | 3     | 15     | 1                            | Direct          | 2    | 12                       | 58                        | 10             |
| 150               | <b>U-486KB</b>  | 5.5          | 8  | 3     | 10     | 2                            | Direct          | 4    | 20                       | 124                       | 10             |
| 150               | <b>U-4126K</b>  | 9            | 12 | 3     | 16     | 2                            | Direct          | 4    | 20                       | 180                       | 10             |
| 200               | <b>U-4158K</b>  | 11           | 15 | 3     | 10     | 4                            | Direct          | 4    | 20                       | 200                       | 10             |
| 200               | <b>U-4308KB</b> | 22           | 30 | 3     | 20     | 4                            | Direct          | 4    | 25                       | 335                       | 10             |

\*Flange type is also available as per your request.

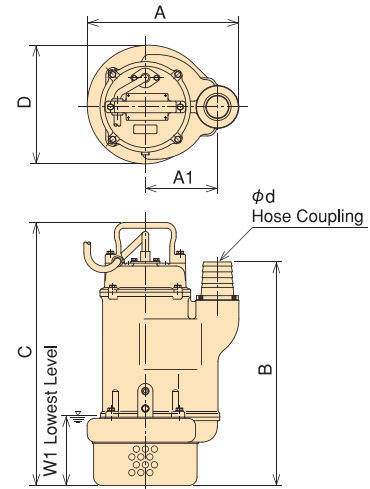
## Performance curves



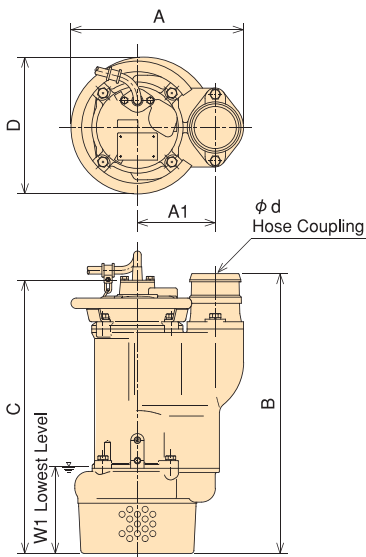
## Dimensions

| Models          | d   | A   | A1  | B    | C    | D   | W1  |
|-----------------|-----|-----|-----|------|------|-----|-----|
| <b>U-212KA</b>  | 50  | 244 | 114 | 359  | 429  | 189 | 110 |
| <b>U-222KC</b>  | 50  | 261 | 124 | 385  | 453  | 204 | 120 |
| <b>U-232KA</b>  | 50  | 280 | 134 | 424  | 488  | 204 | 120 |
| <b>U-233KC</b>  | 80  | 280 | 134 | 455  | 490  | 204 | 120 |
| <b>U-244KA</b>  | 100 | 337 | 152 | 471  | 463  | 268 | 170 |
| <b>U-254KA</b>  | 100 | 337 | 152 | 546  | 533  | 268 | 170 |
| <b>U-264KA</b>  | 100 | 337 | 152 | 546  | 533  | 268 | 170 |
| <b>U-486KB</b>  | 150 | 457 | 196 | 745  | 743  | 381 | 250 |
| <b>U-4126K</b>  | 150 | 541 | 213 | 806  | 788  | 480 | 300 |
| <b>U-4158K</b>  | 200 | 543 | 188 | 848  | 792  | 483 | 300 |
| <b>U-4308KB</b> | 200 | 620 | 260 | 1106 | 1040 | 535 | 350 |

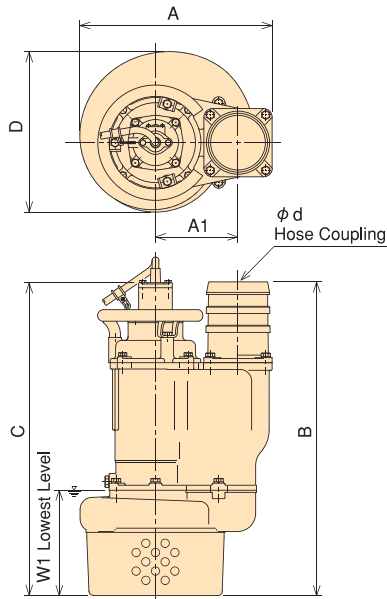
mm



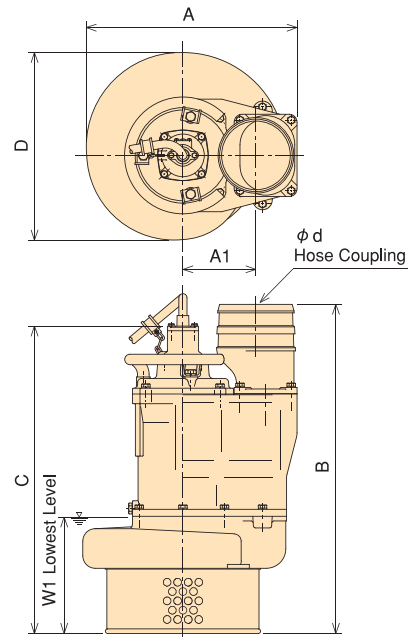
U-212KA·U-222KC·U-232KA·U-233KC



U-244KA·U-254KA·U-264KA



U-486KB·4126K



U-4158K·4308KB



For safety operation, please be sure to read through our instruction manual before using the pumps.

**SAKURAGAWA PUMP**  
MFG.CO.,LTD.

HEAD OFFICE : 1-2-11, ITSUKAICHI, IBARAKI, OSAKA 567-8525, JAPAN.  
TEL : 81-72-645-5254 FAX : 81-72-645-5253

<http://www.sakura-p.net>

\* Specifications are subject to change without notice. Copyright 2015 © SAKURAGAWA PUMP MFG. CO., LTD. All rights reserved.

CAT. No.107227405S